



UL INTERNATIONAL (UK) LTD
 Womersh House, Building C,
 The Guildway,
 Old Portsmouth Road,
 Guildford. GU3 1LR.
 United Kingdom.



designated according to Article 29 of the Regulation (EU) No 305/2011 and member of EOTA (European Organisation for Technical Assessment, www.eota.eu)

European Technical Assessment

ETA 14/0060 of 17/03/2016

Technical Assessment Body issuing the ETA and designated according to Article 29 of the Regulation (EU) No 305/2011: **UL International (UK) Ltd**

Trade name of the construction product

Firebreak FX Series Pipe Collar

Product family to which the construction product belongs

Fire Stopping and Sealing Product:
• Penetration Seals

Manufacturer

Neutron Fire Technologies Limited
 Shire Hall
 Quay Street
 Lostwithiel
 Cornwall
 PL22 0BS
www.neutronfire.com

Manufacturing plant(s)

A/005

This European Technical Assessment contains

21 pages including 1 Annex which forms an integral part of this assessment.

This European Technical Assessment is issued in accordance with regulation (EU) No 305/2011, on the basis of

ETAG 026-2, edition 2011, used as European Assessment Document (EAD).

This version replaces

ETA 14/0060 issued on 24/03/2014

Translations of this European Technical Assessment in other languages shall fully correspond to the original issued document and should be identified as such.

Communication of this European Technical Assessment, including transmission by electronic means, shall be in full. However, partial reproduction may be made, with the written consent of the issuing Technical Assessment Body. Any partial reproduction has to be identified as such.

Table of Contents

I.	SPECIFIC PARTS OF THE EUROPEAN TECHNICAL ASSESSMENT	3
1	Technical description of the product	3
2	Specification of the intended uses of the product in accordance with the applicable European Assessment Document (Hereinafter EAD): EOTA ETAG 026-2	3
3	Performance of the product and references to the methods used for its assessment	5
4	ASSESSMENT AND VERIFICATION OF CONSTANCY OF PERFORMANCE (HEREINAFTER AVCP) SYSTEM APPLIED, WITH REFERENCE TO ITS LEGAL BASE	6
5	Technical details necessary for the implementation of the AVCP system, as provided for in the applicable EAD	6
6	Issued on:	7
	ANNEX A – Resistance to Fire Classification – Firebreak FX Series Pipe Collar	8
A.1	Flexible or rigid wall constructions with wall thickness of minimum 100 mm and FX300 pipe collar	8
A.1.1	Penetration seals, in drywalls and concrete/masonry walls	8
A.2	Rigid wall constructions with wall thickness of minimum 100 mm and FX300 pipe collar	10
A.2.1	Penetration seals, in concrete/masonry walls	10
A.3	Flexible or rigid wall constructions with wall thickness of minimum 100 mm and FX400 pipe collar	11
A.3.1	Penetration seals, in drywalls and concrete/masonry walls	11
A.4	Flexible or rigid wall constructions with wall thickness of minimum 100 mm and FX500 pipe collar	14
A.4.1	Penetration seals, in drywalls and concrete/masonry walls	14
A.5	Rigid wall constructions with wall thickness of minimum 100 mm and FX500 pipe collar	15
A.5.1	Penetration seals, in drywalls and concrete/masonry walls	15
A.6	Rigid floor constructions with floor thickness of minimum 150 mm and FX300 pipe collar	16
A.6.1	Penetration seals, in concrete floors	16
A.7	Rigid floor constructions with floor thickness of minimum 150 mm and FX400 pipe collar	18
A.7.1	Penetration seals, in concrete floors	18
A.7.2	Penetration seals, in concrete floors	20
A.8	Rigid floor constructions with floor thickness of minimum 150 mm and FX500 pipe collar	21
A.8.1	Penetration seals, in concrete floors	21

I. SPECIFIC PARTS OF THE EUROPEAN TECHNICAL ASSESSMENT

1 Technical description of the product

- 1) Firebreak FX Series Pipe Collars comprise Firebreak FX300, Firebreak FX400 and Firebreak FX500 pipe collars, which are pipe closure devices used to form penetration seals where combustible pipes, cables and metal pipes with insulation penetrate walls and floors.
- 2) The Firebreak FX Series Pipe Collar is supplied with intumescent liner complete within metal steel shell, to be clamped around the service and screw fixed back to the supporting element. The collars can be manufactured using stainless steel or mild steel with either a galvanized or powder coated finish. The body of the collars can be either half shells with slide together fixings; half shells with hinge and toggle latch fixings or a continuous wrap around body with slide through and fold back fixing tabs.
- 3) The applicant has submitted a written declaration that the product and/or constituents of the product contains no substances which have been classified as dangerous according to Directive 67/548/EEC and Regulation (EC) No. 1272/2008 and listed in the 'indicative list on dangerous substances' of the EGDS – taking into account the installation conditions of the construction product and the release scenarios resulting from there.

In addition to the specific clauses relating to dangerous substances contained in this European Technical Assessment, there may be other requirements applicable to the products falling within its scope (e.g. transposed European legislation and national laws, regulations and administrative provisions). In order to meet the provisions of the Construction Products Regulation, these requirements need also to be complied with, when and where they apply.

- 4) The use category of Firebreak FX Series Pipe Collar in relation to BWR 4 (safety in use) is IA1, S/W3

2 Specification of the intended uses of the product in accordance with the applicable European Assessment Document (Hereinafter EAD): EOTA ETAG 026-2

Detailed information and data is given in Annex A.

The intended use of system Firebreak FX Series Pipe Collar is to reinstate the fire resistance performance of flexible wall and rigid wall and floor constructions, where they are penetrated by services.

- 1) The specific elements of construction that the system Firebreak FX Series Pipe Collar may be used to provide a penetration seal in, are as follows:

Flexible walls:	The wall must have a minimum thickness of 100 mm and comprise steel studs lined on both faces with minimum 2 layers of 12.5 mm thick boards.
Rigid walls:	The wall must have a minimum thickness of 100 mm and comprise concrete, aerated concrete or masonry, with a minimum density of 650 kg/m ³ .
Rigid floors:	The floor must have a minimum thickness of 150 mm and comprise aerated concrete or concrete with a minimum density of 650 kg/m ³ .

The supporting construction must be classified in accordance with EN 13501-2 for the required fire resistance period.

- 2) The system Firebreak FX Series Pipe Collar may be used to provide a penetration seal with specific supporting constructions and substrates (for details see Annex A).

- 3) The provisions made in this European Technical Assessment are based on an assumed working life of the Firebreak FX Series Pipe Collar of 10 years, provided that the conditions laid down in the manufacturers datasheet and instructions for the packaging/transport/storage/installation/use/repair are met. The indications given on the working life cannot be interpreted as a guarantee given by the producer, but are to be regarded only as a means for choosing the right products in relation to the expected economically reasonable working life of the works.
- 4) Type Y₂: intended for use at temperatures below 0°C, but with no exposure to rain nor UV. Includes lower use categories.

3 Performance of the product and references to the methods used for its assessment

Product-type: Pipe Collar		Intended use: Penetration Seal
Basic requirement for construction work	Basic Requirement	Performance
BWR 1 Mechanical resistance and stability		
-	None	Not relevant
BWR 2 Safety in case of fire		
EN 13501-1	Reaction to fire	Class F
EN 13501-2	Resistance to fire	Annex A
BWR 3 Hygiene, health and environment		
EN 1026:2000	Air permeability (material property)	No performance determined
ETAG 026-2, Annex C	Water permeability (material property)	No performance determined
Declaration of manufacturer	Release of dangerous substances	Use categories: IA1, S/W3 Declaration of manufacturer
BWR 4 Safety in use		
EOTA TR 001:2003	Mechanical resistance and stability	No performance determined
EOTA TR 001:2003	Resistance to impact/movement	No performance determined
EOTA TR 001:2003	Adhesion	No performance determined
BWR 5 Protection against noise		
EN 10140-2/ EN ISO 717-1	Airborne sound insulation	No performance determined
BWR 6 Energy economy and heat retention		
EN 12664, EN 12667 or EN 12939	Thermal properties	No performance determined
EN ISO 12572 EN 12086	Water vapour permeability	No performance determined
General aspects relating to fitness for use		
EOTA TR 024:2009, clause 3.1.11 & 3.1.12	Durability and serviceability	Y ₂
BWR 7 Sustainable use of natural resources		
-	-	No performance determined

4 ASSESSMENT AND VERIFICATION OF CONSTANCY OF PERFORMANCE (HEREINAFTER AVCP) SYSTEM APPLIED, WITH REFERENCE TO ITS LEGAL BASE

According to the decision 1999/454/EC – Commission Decision of date 22nd June 1999 on the procedure for attesting the conformity of construction products pursuant to Article 20(2) of Council Directive 89/106/EEC as regards fire stopping, fire sealing and fire protective products, published in the Official Journal of the European Union (OJEU) L178/52 of 14/07/1999, see <http://eur-lex.europa.eu/JOIndex.do> of the European Commission¹, as amended, the system(s) of assessment and verification of constancy of performance (see Annex V to Regulation (EU) No 305/2011) given in the following table(s) applies (apply).

Product(s)	Intended use(s)	Level(s) or class(es)	System(s)
Fire stopping and Fire Sealing Products	For fire compartmentation and/or fire protection or fire performance	Any	1

5 Technical details necessary for the implementation of the AVCP system, as provided for in the applicable EAD

Tasks of the manufacturer:

Factory production control

The manufacturer shall exercise permanent internal control of production. All the elements, requirements and provisions adopted by the manufacturer shall be documented in a systematic manner in the form of written policies and procedures, including records of results performed. This production control system shall ensure that the product is in conformity with this European Technical Assessment.

The manufacturer may only use initial / raw / constituent materials stated in the technical documentation of this European Technical Assessment.

The factory production control shall be in accordance with the Control Plan of 23rd January 2014 relating to the European Technical Assessment ETA 14/0060 issued on 17/03/16 which is part of the technical documentation of this European Technical Assessment. The "Control Plan" is laid down in the context of the factory production control system operated by the manufacturer and deposited at UL International (UK) Ltd.

The results of factory production control shall be recorded and evaluated in accordance with the provisions of the Control Plan.

¹ Official Journal of the European Communities L178/52 of 14/7/1999

Other tasks of the manufacturer

Additional information

The manufacturer shall provide a technical data sheet and an installation instruction with the following minimum information:

(a) Technical data sheet:

- Field of application:
- Building elements for which the penetration seal is suitable, type and properties of the building elements like minimum thickness, density, and - in case of lightweight constructions – the construction requirements.
- Limits in size, minimum thickness etc. of the penetration seal
- Construction of the penetration seal including the necessary components and additional products (e.g. backfilling material) with clear indication whether they are generic or specific.

(b) Installation instruction:

- Steps to be followed
- Procedure in case of retrofitting
- Stipulations on maintenance, repair and replacement

6 Issued on:

17th March 2016

Report by:



C. Johnson
Staff Engineer
Building and Life Safety Technologies

Reviewed by:



C. W. Miles
Business Manager – Europe & Latin America
Building and Life Safety Technologies

For and on behalf of UL International (UK) Ltd.

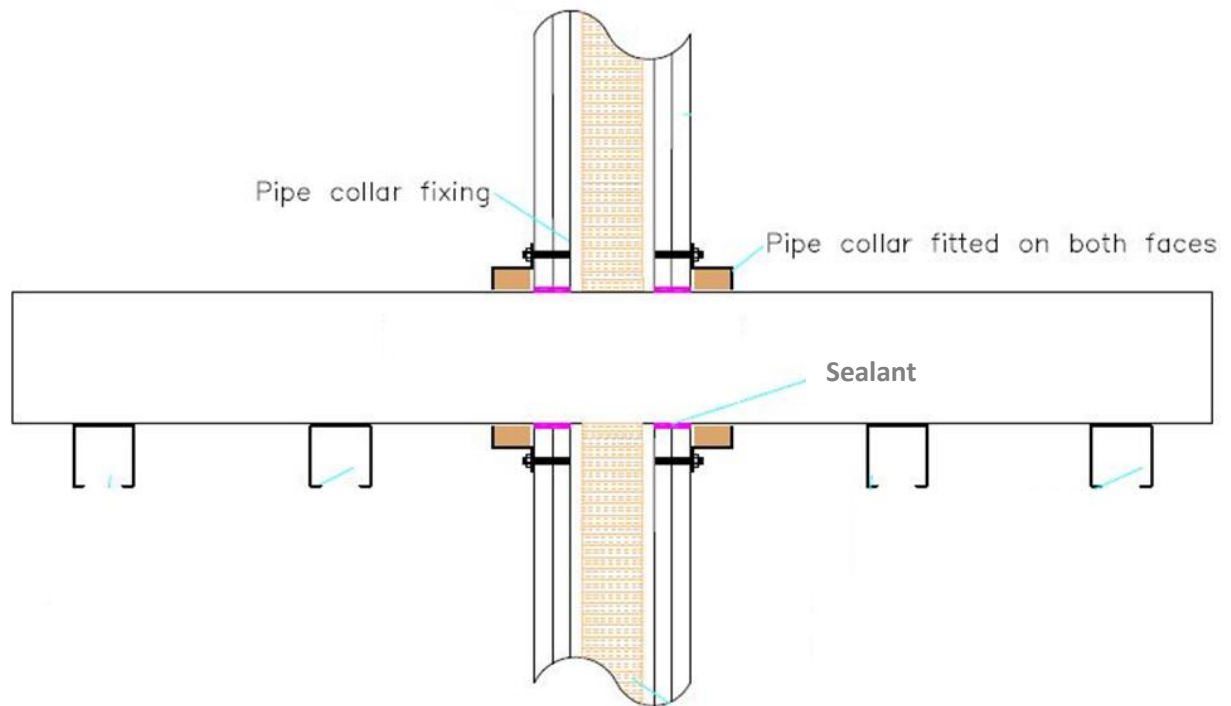
ANNEX A – Resistance to Fire Classification – Firebreak FX Series Pipe Collar

A.1 Flexible or rigid wall constructions with wall thickness of minimum 100 mm and FX300 pipe collar

A.1.1 Penetration seals, in drywalls and concrete/masonry walls

Penetration Seal: Combustible pipes fitted with Firebreak FX 300 collar to both sides of the wall.

Construction details:



A.1.1.1

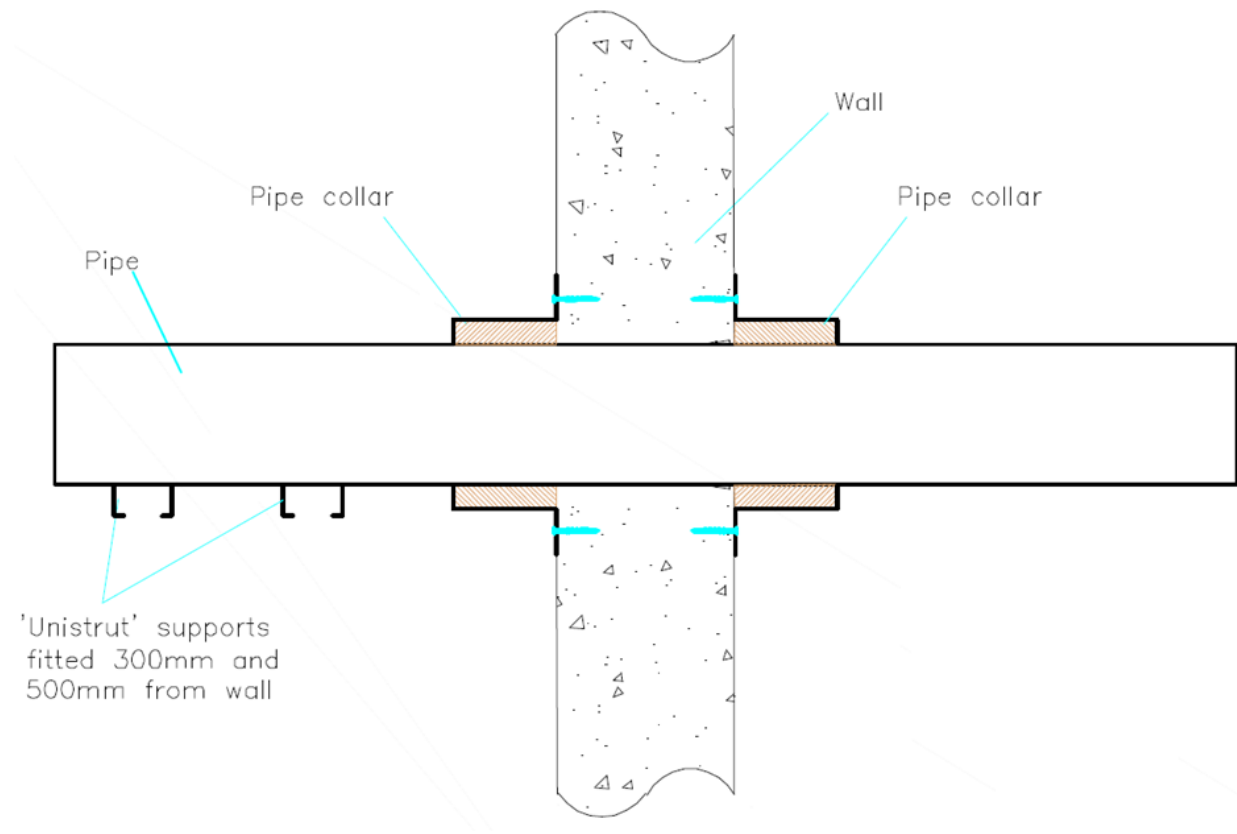
Services	Collar Inlay	Classification
PVC-U pipe according to EN 1329-1, EN 1452-2 and EN 1453-1		
Diameter 40 mm, wall thickness 3 mm	30 x 6 mm	EI 120 U/U, EI 120 C/U, EI 120 U/C, EI 120 C/C
Diameter 55 mm, wall thickness 3.2 mm		E 120 U/U, E 120 C/U, E 120 U/C, E 120 C/C
Diameter 82 mm, wall thickness 3.2 mm		EI 60 U/U, EI 60 C/U, EI 60 U/C, EI 60 C/C
Diameter 110 mm, wall thickness 2.7-6.6 mm	30 x 10 mm	E 120 U/U, E 120 C/U, E 120 U/C, E 120 C/C EI 90 U/U, EI 90 C/U, EI 90 U/C, EI 90 C/C
Diameter 110 mm, wall thickness 9.5 mm	30 x 16 mm	EI 120 U/U, EI 120 C/U, EI 120 U/C, EI 120 C/C
Diameter 125 mm, wall thickness 9.5 mm		
Diameter 160 mm, wall thickness 9.5 mm		
Diameter 110 mm, wall thickness 4-9.5 mm		E 120 U/U, E 120 C/U, E 120 U/C, E 120 C/C EI 90 U/U, EI 90 C/U, EI 90 U/C, EI 90 C/C
Diameter 125 mm, wall thickness 4-9.5 mm		
Diameter 160 mm, wall thickness 4-9.5 mm		
PE pipe according to EN 1519-1, EN 12201-2 and EN 1266-1, ABS pipe according to EN 1455-1 and SAN+PVC pipe according to EN 1565-1		
Diameter 40 mm, wall thickness 3.8 mm	30 x 6 mm	EI 120 U/U, EI 120 C/U, EI 120 U/C, EI 120 C/C
Diameter 50 mm, wall thickness 4.6 mm		EI 120 U/U, EI 120 C/U, EI 120 U/C, EI 120 C/C
Diameter 75 mm, wall thickness 6.8 mm		EI 90 U/U, EI 90 C/U, EI 90 U/C, EI 90 C/C
Diameter 90 mm, wall thickness 6.6 mm	30 x 10 mm	E 120 U/U, E 120 C/U, E 120 U/C, E 120 C/C EI 90 U/U, EI 90 C/U, EI 90 U/C, EI 90 C/C
Diameter 110 mm, wall thickness 6.6		
Diameter 125 mm, wall thickness 14.6 mm	30 x 16 mm	EI 60 U/U, EI 60 C/U, EI 60 U/C, EI 60 C/C
Diameter 160 mm, wall thickness 14.6 mm		

A.2 Rigid wall constructions with wall thickness of minimum 100 mm and FX300 pipe collar

A.2.1 Penetration seals, in concrete/masonry walls

Penetration Seal: Insulated metal and combustible pipes fitted with Firebreak FX 300 collar to both sides of the wall.

Construction details:



A.2.1.1

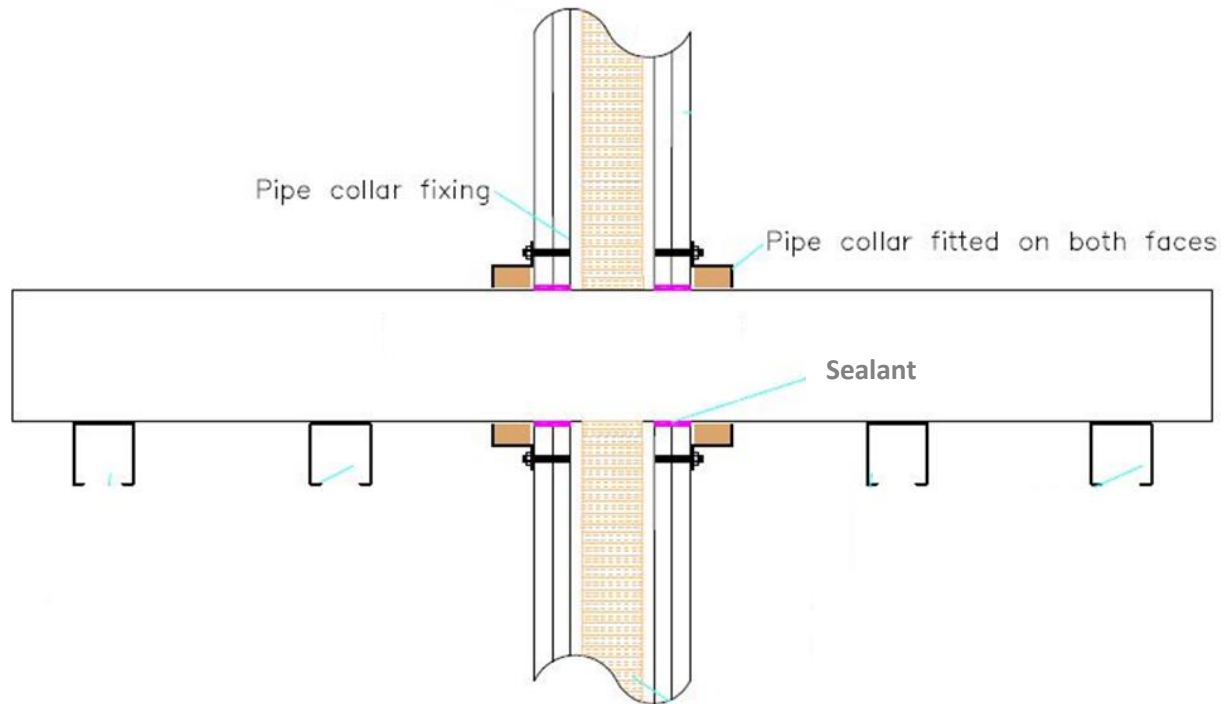
Services	Collar Inlay	Classification
PVC-U pipe according to EN 1329-1, EN 1452-2 and EN 1453-1		
Diameter 110 mm, wall thickness 1.8-4.2 mm	30 x 10 mm	EI 240 U/U, EI 240 C/U, EI 240 U/C, EI 240 C/C
Diameter 125mm, wall thickness 1.8-4.2 mm	45 x 16 mm	EI 240 U/U, EI 240 C/U, EI 240 U/C, EI 240 C/C
Diameter 160 mm, wall thickness 1.8-4.2 mm		
PE pipe according to EN 1519-1, EN 12201-2 and EN 1266-1, ABS pipe according to EN 1455-1 and SAN+PVC pipe according to EN 1565-1		
Diameter 125mm, wall thickness 1.8-4.2 mm	45 x 16 mm	EI 240 U/U, EI 240 C/U, EI 240 U/C, EI 240 C/C
Diameter 160 mm, wall thickness 6.2 mm		
BevEx Drinks Python		
Diameter 80 mm	30 x 6 mm	EI 240 U/U, EI 240 C/U, EI 240 U/C, EI 240 C/C
Steel pipe, with Continuous Sustained (CS) K-Flex ST or Armaflex insulation		
Diameter 47.6 mm, wall thickness 1.5-14.2 mm with 13 mm insulation	30 x 6 mm	E 240 C/C, EI 180 C/C
Diameter 114.3 mm, wall thickness 2-14.2 mm with 19 mm insulation	45 x 16 mm	E 240 C/C, EI 120 C/C

A.3 Flexible or rigid wall constructions with wall thickness of minimum 100 mm and FX400 pipe collar

A.3.1 Penetration seals, in drywalls and concrete/masonry walls

Penetration Seal: Insulated metal and combustible pipes and telecoms cables fitted with Firebreak FX 400 collar to both sides of the wall.

Construction details:



A.3.1.1

Services	Collar Inlay	Classification
PVC-U pipe according to EN 1329-1, EN 1452-2 and EN 1453-1		
Diameter 32 mm, wall thickness 3-3.2 mm	50 x 4 mm	EI 120 U/U, EI 120 C/U, EI 120 U/C, EI 120 C/C
Diameter 38 mm, wall thickness 3-3.2 mm		
Diameter 40 mm, wall thickness 3-3.2 mm		
Diameter 42.2 mm, wall thickness 3.2 mm		
Diameter 46 mm, wall thickness 3.2 mm		
Diameter 48.3 mm, wall thickness 3.2 mm		
Diameter 50 mm, wall thickness 3.2 mm		
Diameter 55 mm, wall thickness 3.2 mm		
Diameter 82 mm, wall thickness 3.2 mm		
Diameter 110 mm, wall thickness 6.6 mm	50 x 8 mm	
Diameter 160 mm, wall thickness 9.5 mm	60 x 12 mm	
Diameter 160 mm, wall thickness 3.2-9.5 mm	60 x 18 mm	
Diameter 200 mm, wall thickness 3.9 mm	125 x 20 mm	
PVC-U pipe according to EN 1329-1, EN 1452-2 and EN 1453-1 with 19 mm Armaflex or K-Flex-ST insulation Continuous Sustained (CS)		
Diameter 55 mm, wall thickness 2 mm	50 x 8 mm	EI 120 U/U, EI 120 C/U, EI 120 U/C, EI 120 C/C
PE pipe according to EN 1519-1, EN 12201-2 and EN 1266-1, ABS pipe according to EN 1455-1 and SAN+PVC pipe according to EN 1565-1		
Diameter 32 mm, wall thickness 3.7-4.6 mm	50 x 4 mm	EI 120 U/U, EI 120 C/U, EI 120 U/C, EI 120 C/C
Diameter 38 mm, wall thickness 3.7-4.6 mm		
Diameter 40 mm, wall thickness 3.7-4.6 mm		
Diameter 42.2 mm, wall thickness 4.6 mm		
Diameter 46 mm, wall thickness 4.6 mm		
Diameter 48.3 mm, wall thickness 4.6 mm		
Diameter 50 mm, wall thickness 4.6 mm		
Diameter 75 mm, wall thickness 6.8 mm	50 x 6 mm	EI 60 U/U, EI 60 C/U, EI 60 U/C, EI 60 C/C
Diameter 75 mm, wall thickness 5.1 mm	50 x 8 mm	EI 120 U/U, EI 120 C/U, EI 120 U/C, EI 120 C/C
Diameter 90 mm, wall thickness 5.1 mm		
Diameter 110 mm, wall thickness 10 mm	50 x 8 mm	EI 60 U/U, EI 60 C/U, EI 60 U/C, EI 60 C/C
Diameter 110 mm, wall thickness 6.2-6.6	50 x 8 mm	EI 120 U/U, EI 120 C/U, EI 120 U/C, EI 120 C/C
Diameter 160 mm, wall thickness 7 mm	60 x 17 mm	EI 120 U/U, EI 120 C/U, EI 120 U/C, EI 120 C/C

A.3.1.2

Services	Collar Inlay	Classification
PB pipe according to DIN16968/16969 EN ISO15876-2		
Diameter 32 mm, wall thickness 3.7 mm	50 x 4 mm	EI 120 U/U, EI 120 C/U, EI 120 U/C, EI 120 C/C
Diameter 38 mm, wall thickness 3.7 mm		
Diameter 40 mm, wall thickness 3.7 mm		
Diameter 50 mm, wall thickness 6.8 mm		
Diameter 75 mm, wall thickness 6.8 mm		
Diameter 90 mm, wall thickness 8.2 mm	50 x 8 mm	EI 45 U/U, EI 45 C/U, EI 45 U/C, EI 45 C/C
Diameter 110 mm, wall thickness 10 mm		E 45 U/U, E 45 C/U, E 45 U/C, E 45 C/C EI 30 U/U, EI 30 C/U, EI 30 U/C, EI 30 C/C
PP pipe according to DIN 8077/8078, EN ISO 15494		
Diameter 32 mm, wall thickness 3.7 mm	50 x 4 mm	E 120 U/U, E 120 C/U, E 120 U/C, E 120 C/C EI 90 U/U, EI 90 C/U, EI 90 U/C, EI 90 C/C
Diameter 38 mm, wall thickness 3.7 mm		
Diameter 40 mm, wall thickness 3.7 mm		
Diameter 50 mm, wall thickness 6.8 mm		
Diameter 75 mm, wall thickness 6.8 mm		
Diameter 90 mm, wall thickness 10 mm	50 x 8 mm	EI 30 U/U, EI 30 C/U, EI 30 U/C, EI 30 C/C
Diameter 110 mm, wall thickness 10 mm		
MLCP pipe according to ISO 21003 / DIN16836		
Diameter 16 mm, wall thickness 3 mm	50 x 4 mm	EI 120 C/U, EI 120 U/C, EI 120 C/C
Diameter 32 mm, wall thickness 3 mm		E 120 C/U, E 120 U/C, E 120 C/C EI 90 C/U, EI 90 U/C, EI 90 C/C
Diameter 40 mm, wall thickness 4 mm		E 90 C/U, E 90 U/C, E 90 C/C EI 45 C/U, EI 45 U/C, EI 45 C/C
Diameter 50 mm, wall thickness 4.5 mm		E 120 C/U, E 120 U/C, E 120 C/C EI 20 C/U, EI 20 U/C, EI 20 C/C
Copper with 19 mm thick Armaflex insulation or K-Flex-ST insulation Continuous Sustained (CS)		
Diameter 54 mm, wall thickness 0.8-14.2 mm	50 x 8 mm	E 120 U/U, E 120 C/U, E 120 U/C, E 120 C/C
Telecoms cables up to 21 mm diameter in bundles up to 100 mm diameter [^]		
Up to 21 mm diameter in bundles up to 100 mm diameter [^]	50 x 8 mm	E 120, EI 90
Up to 21 mm diameter in bundles up to 100 mm diameter [^] wrapped with 300 mm long, single layer of Insulwrap material [§]		EI 120

[^] Collar size must be an intimate fit to the cable bundle size

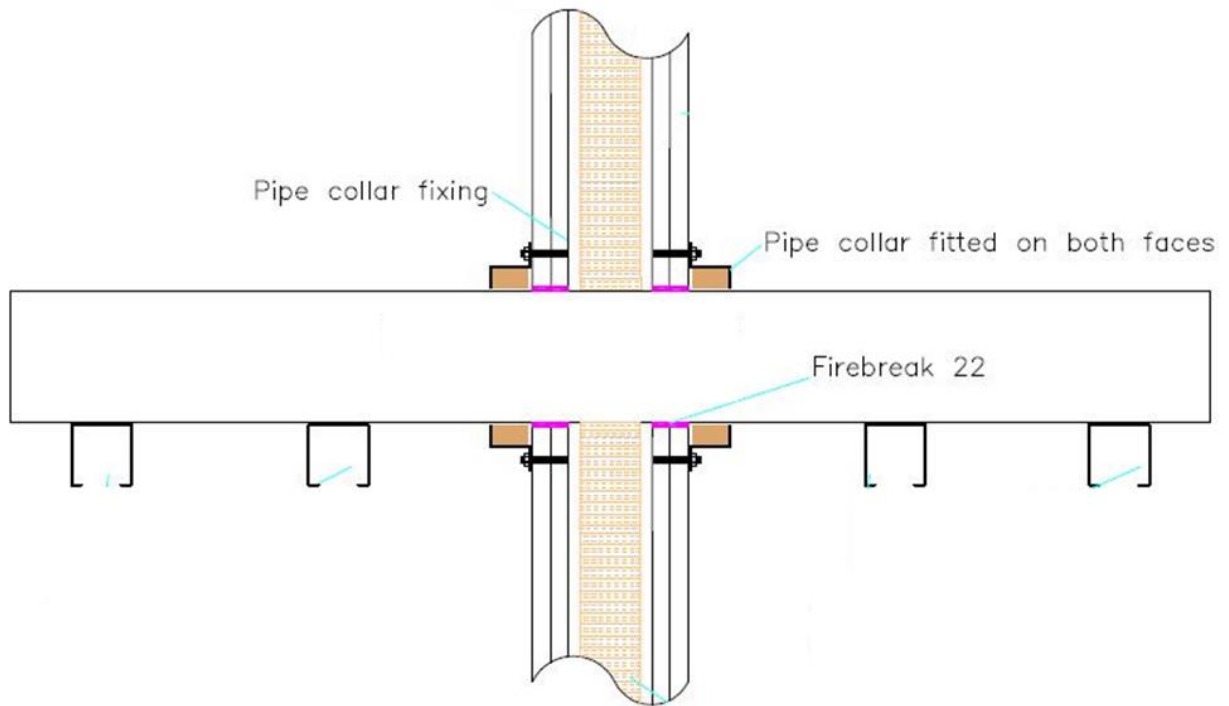
[§] Only required on non-fire risk side or both sides if fire risk side is unknown

A.4 Flexible or rigid wall constructions with wall thickness of minimum 100 mm and FX500 pipe collar

A.4.1 Penetration seals, in drywalls and concrete/masonry walls

Penetration Seal: Combustible pipes fitted with Firebreak FX 500 collar to both sides of the wall.

Construction details:



A.4.1.1

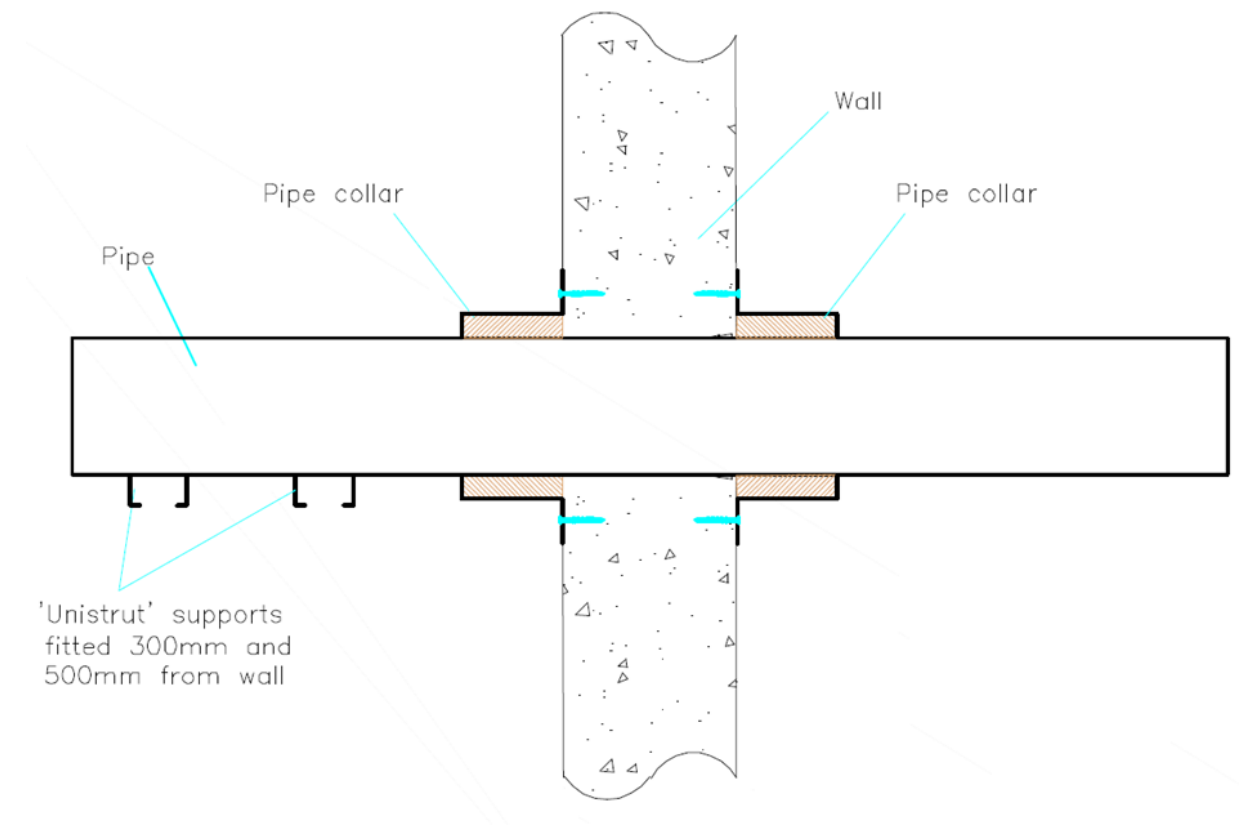
Services	Collar Inlay	Classification
PVC-U pipe according to EN 1329-1, EN 1452-2 and EN 1453-1		
Diameter 200 mm, wall thickness 10.6 mm	60 x 26 mm	EI 90 U/U, EI 90 C/U, EI 90 U/C, EI 90 C/C
Diameter 225 mm, wall thickness 10.6 mm		
Diameter 250 mm, wall thickness 10.6 mm		

A.5 Rigid wall constructions with wall thickness of minimum 100 mm and FX500 pipe collar

A.5.1 Penetration seals, in drywalls and concrete/masonry walls

Penetration Seal: Insulated metal and combustible pipes fitted with Firebreak FX 500 collar to both sides of the wall.

Construction details:



A.5.1.1

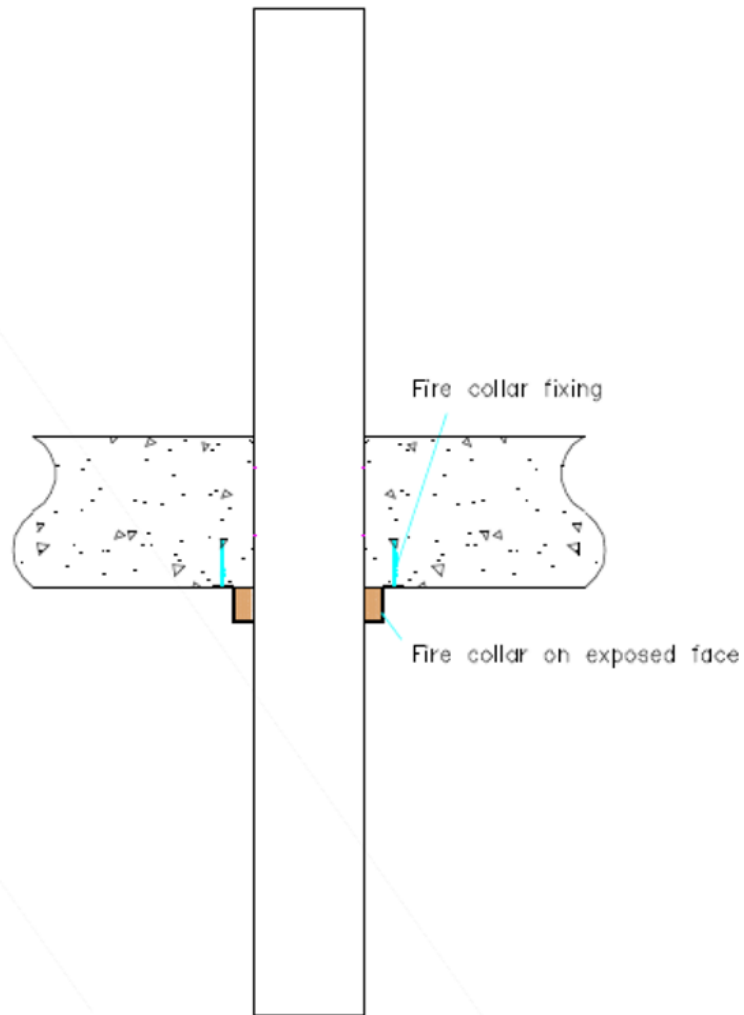
Services	Collar Inlay	Classification
PVC-U pipe according to EN 1329-1, EN 1452-2 and EN 1453-1		
Diameter 200 mm, wall thickness 10.6 mm		
Diameter 225 mm, wall thickness 10.6 mm	130 x 24 mm	EI 240 U/U, EI 240 C/U, EI 240 U/C, EI 240 C/C
Diameter 250 mm, wall thickness 10.6 mm		
Diameter 315 mm, wall thickness 12.1 mm	130 x 32 mm	EI 120 U/U, EI 120 C/U, EI 120 U/C, EI 120 C/C
Steel pipe, with Continuous Sustained (CS) K-Flex ST or Armaflex insulation		
Diameter 219.1 mm, wall thickness 6.4-14.2 mm with 25 mm insulation	130 x 32 mm	E 240 C/C, EI 90 C/C

A.6 Rigid floor constructions with floor thickness of minimum 150 mm and FX300 pipe collar

A.6.1 Penetration seals, in concrete floors

Penetration Seal: Insulated metal and combustible pipes fitted with Firebreak FX 300 collar to the soffit of the floor.

Construction details:



A.6.1.1

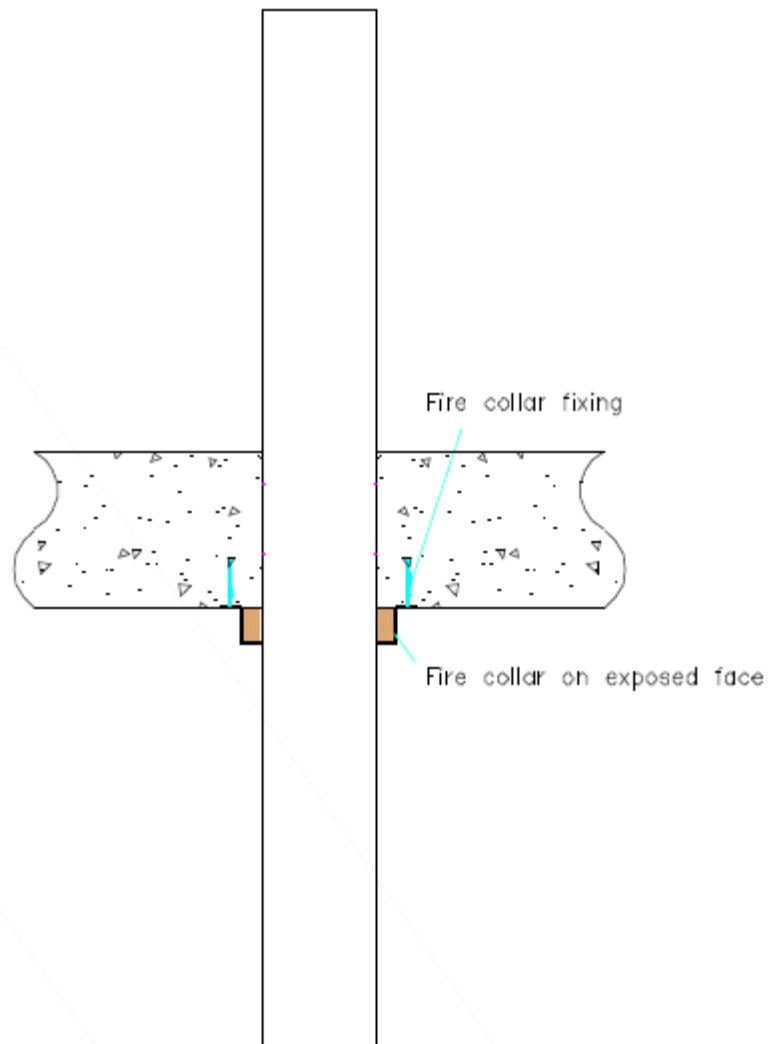
Services	Collar Inlay	Classification
PVC-U pipe according to EN 1329-1, EN 1452-2 and EN 1453-1		
Diameter 40 mm, wall thickness 3 mm	30 x 6 mm	EI 240 U/U, EI 240 C/U, EI 240 U/C, EI 240 C/C
Diameter 55 mm, wall thickness 3.2 mm		EI 120 U/U, EI 120 C/U, EI 120 U/C, EI 120 C/C
Diameter 82 mm, wall thickness 3.2 mm		
Diameter 55 mm, wall thickness 3.5 mm		EI 90 U/U, EI 90 C/U, EI 90 U/C, EI 90 C/C
Diameter 82 mm, wall thickness 3.5 mm		
Diameter 110 mm, wall thickness 1.8 mm	30 x 10 mm	EI 180 U/U, EI 180 C/U, EI 180 U/C, EI 180 C/C
Diameter 110 mm, wall thickness 1.8-10 mm		EI 120 U/U, EI 120 C/U, EI 120 U/C, EI 120 C/C
Diameter 125 mm, wall thickness 9.5 mm	30 x 16 mm	EI 90 U/U, EI 90 C/U, EI 90 U/C, EI 90 C/C
Diameter 160 mm, wall thickness 9.5 mm		
Diameter 125 mm, wall thickness 2.5 mm	45 x 16 mm	EI 180 U/U, EI 180 C/U, EI 180 U/C, EI 180 C/C
Diameter 160 mm, wall thickness 2.5 mm		
PE pipe according to EN 1519-1, EN 12201-2 and EN 12FX 4006-1, ABS pipe according to EN 1455-1 and SAN+PVC pipe according to EN 1565-1		
Diameter 40 mm, wall thickness 3.7 mm	30 x 6 mm	EI 180 U/U, EI 180 C/U, EI 180 U/C, EI 180 C/C
Diameter 50 mm, wall thickness 11.6 mm		EI 120 U/U, EI 120 C/U, EI 120 U/C, EI 120 C/C
Diameter 90 mm, wall thickness 5.1 mm	30 x 10 mm	EI 180 U/U, EI 180 C/U, EI 180 U/C, EI 180 C/C
Diameter 110 mm, wall thickness 4.2 mm		
Diameter 110 mm, wall thickness 4.2-10 mm		
Diameter 125 mm, wall thickness 6.2 mm	45 x 16 mm	EI 120 U/U, EI 120 C/U, EI 120 U/C, EI 120 C/C
Diameter 160 mm, wall thickness 6.2 mm		
BevEx Drinks Python		
Diameter 80 mm	30 x 6 mm	EI 240 U/U, EI 240 C/U, EI 240 U/C, EI 240 C/C
Steel pipe, with Continuous Sustained (CS) K-Flex ST insulation		
Diameter 114.3 mm, wall thickness 2-14.2 mm with 19 mm insulation	45 x 16 mm	EI 60 C/C
Diameter 47.6 mm, wall thickness 1.5-14.2 mm with 13 mm insulation	30 x 6 mm	EI 120 C/C

A.7 Rigid floor constructions with floor thickness of minimum 150 mm and FX400 pipe collar

A.7.1 Penetration seals, in concrete floors

Penetration Seal: Insulated metal and combustible pipes fitted with Firebreak FX 400 collar to the soffit of the floor.

Construction details:



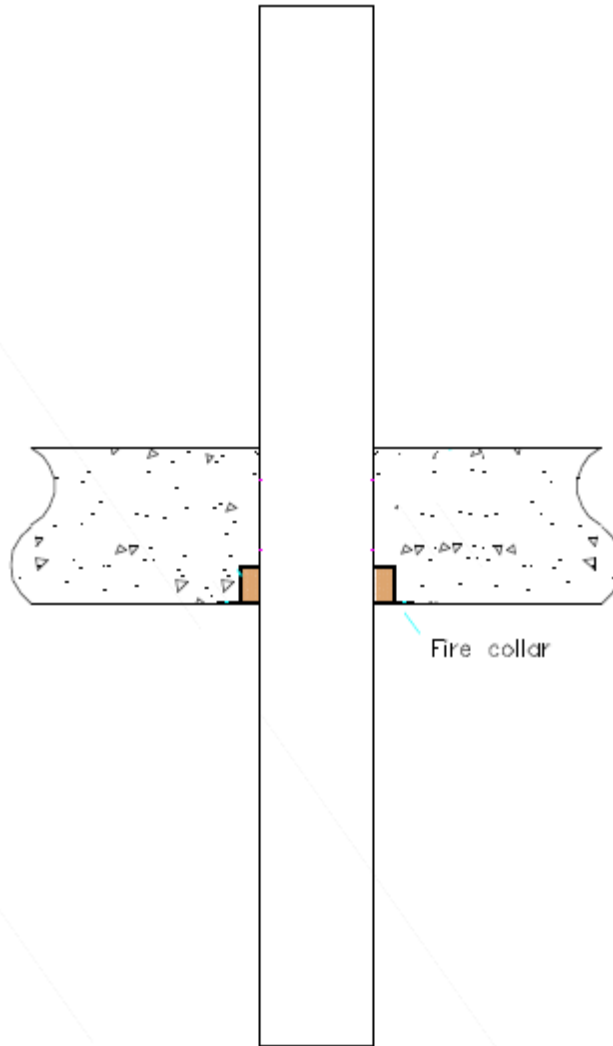
A.7.1.1

Services	Collar Inlay	Classification
PVC-U pipe according to EN 1329-1, EN 1452-2 and EN 1453-1		
Diameter 32 mm, wall thickness 3 mm	50 x 4 mm	EI 240 U/U, EI 240 C/U, EI 240 U/C, EI 240 C/C
Diameter 38 mm, wall thickness 3 mm		
Diameter 40 mm, wall thickness 3 mm		
Diameter 42.2 mm, wall thickness 2 mm	50 x 4 mm	EI 180 U/U, EI 180 C/U, EI 180 U/C, EI 180 C/C
Diameter 46 mm, wall thickness 2 mm		
Diameter 55 mm, wall thickness 2 mm		
Diameter 82 mm, wall thickness 3.2 mm	50 x 6 mm	
Diameter 110 mm, wall thickness 6.6 mm	50 x 8 mm	
Diameter 160 mm, wall thickness 3.2-9.5 mm	60 x 18 mm	E 180 U/C, E 180 C/C EI 60 U/C, EI 180 C/C
Diameter 160 mm, wall thickness 9.5 mm		
Diameter 200 mm, wall thickness 9.5 mm	125 x 20 mm	EI 180 U/U, EI 180 C/U, EI 180 U/C, EI 180 C/C
PE pipe according to EN 1519-1, EN 12201-2 and EN 12FX 4006-1, ABS pipe according to EN 1455-1 and SAN+PVC pipe according to EN 1565-1		
Diameter 32 mm, wall thickness 3.7 mm	50 x 4 mm	EI 180 U/U, EI 180 C/U, EI 180 U/C, EI 180 C/C
Diameter 38 mm, wall thickness 3.7 mm		
Diameter 40 mm, wall thickness 3.7 mm		
Diameter 75 mm, wall thickness 8.2 mm	50 x 8 mm	EI 240 U/U, EI 240 C/U, EI 240 U/C, EI 240 C/C
Diameter 110 mm, wall thickness 8.2 mm	50 x 8 mm	EI 240 U/U, EI 240 C/U, EI 240 U/C, EI 240 C/C
Diameter 160 mm, wall thickness 6.2 mm	60 x 18 mm	EI 180 U/U, EI 180 C/U, EI 180 U/C, EI 180 C/C
MCLP pipe according to ISO 21003 / DIN16836		
Diameter 16 mm, wall thickness 2 mm	50 x 4 mm	EI 240 C/U, EI 240 U/C, EI 240 C/C
Diameter 40 mm, wall thickness 4 mm		EI 60 C/U, EI 60 U/C, EI 60 C/C

A.7.2 Penetration seals, in concrete floors

Penetration Seal: Combustible pipes fitted with Firebreak FX Series Pipe Collar to the recessed/cast in, within the soffit of the floor.

Construction details:



A.7.2.1

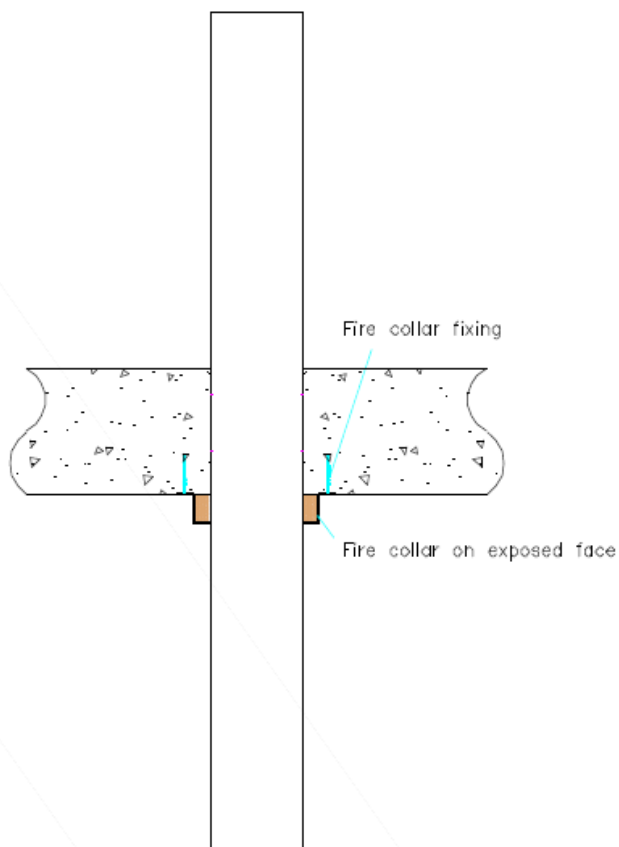
Services	Collar Inlay	Classification
PVC-U pipe according to EN 1329-1, EN 1452-2 and EN 1453-1		
Diameter 110 mm, wall thickness 3.2 mm	50 x 8 mm	EI 90 U/U, EI 90 C/U, EI 90 U/C, EI 90 C/C
Diameter 200 mm, wall thickness 3.9 mm	125 x 20 mm	EI 240 U/U, EI 240 C/U, EI 240 U/C, EI 240 C/C

A.8 Rigid floor constructions with floor thickness of minimum 150 mm and FX500 pipe collar

A.8.1 Penetration seals, in concrete floors

Penetration Seal: Insulated metal and combustible pipes fitted with Firebreak FX 500 collar to the soffit of the floor.

Construction details:



A.8.1.1

Services	Collar Inlay	Classification
PVC-U pipe according to EN 1329-1, EN 1452-2 and EN 1453-1		
Diameter 200 mm, wall thickness 10.6 mm	60 x 26 mm	EI 60 U/U, EI 60 C/U, EI 60 U/C, EI 60 C/C
Diameter 225 mm, wall thickness 10.6 mm		
Diameter 250 mm, wall thickness 10.6 mm		
Diameter 200 mm, wall thickness 10.6 mm	130 x 24 mm	EI 120 U/U, EI 120 C/U, EI 120 U/C, EI 120 C/C
Diameter 225 mm, wall thickness 10.6 mm		
Diameter 250 mm, wall thickness 10.6 mm		
Diameter 315 mm, wall thickness 12.1 mm	130 x 32 mm	EI 60 U/U, EI 60 C/U, EI 60 U/C, EI 60 C/C
Steel pipe, with Continuous Sustained (CS) K-Flex ST insulation		
Diameter 219.1 mm, wall thickness 6.4-14.2 mm with 19 mm insulation	130 x 32 mm	EI 120 C/C